


PF50 Series Photoelectric Sensors

■ Features



- Non-sphere optical lens totally eliminate stray light and overcome the interference from such light sources as sunlight.
- Built-in LED light source makes installation easy.
- LIGHT ON/DARK ON selectable
- Able to detect working status by power LED indicator and output LED indicator
- Protection rating IP65(IEC)

Please read safety cautions before using



Configurations	Model
	PF50TF-10MRF

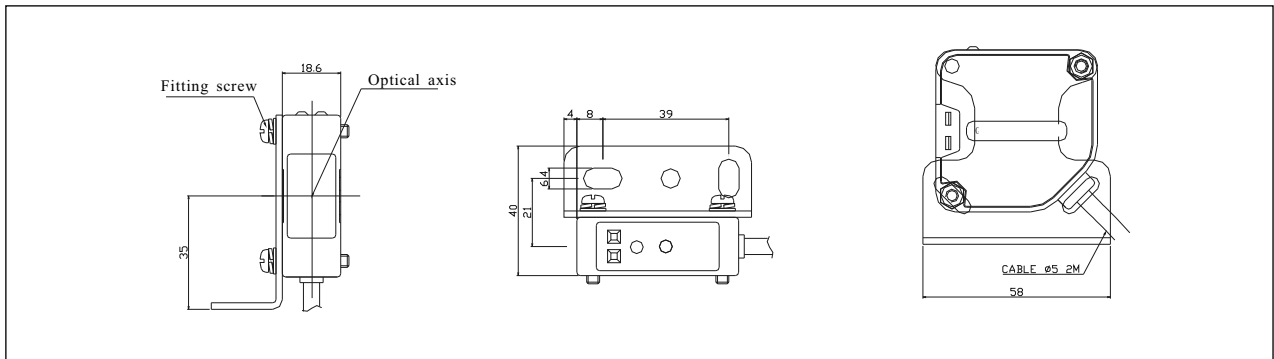
■ Specifications

Model	PF50TF-10MRF
Type	Through-beam
Sensing target	Opaque materials of Min. ϕ 30
Sensing distance	10m
Response time	Max. 20ms
Power	24-240V DC/AC \pm 10%
Non-load current	Max. 3VA
Light source	Infrared LED (modulated)
Action mode	1. when VR on  Status: Light on; 2. when VR on  Status: Dark on
Control output	Relay output(contact rating:30VDC,3A resistant load;250VAC,3A resistant load; contact component:1C)
Protection circuit	Surge protection
Indicator	Power indicator: green; Action indicator: red
Cable	Outgoing cable
Insulation resistance	Min. 20M Ω (at 500VDC)
Noise strength	\pm 1000V the square wave noise(pulse width: 1 μ s) by the noise simulator
Pressure resistance	1000VAC 50/60Hz for 1 minute
Ambient brightness	Sunlight: Max. 11000 lx; Incandescent lamp: Max. 3000 lx
Ambient temperature	-20-+65 $^{\circ}$ C (at non-freezing status), Storage temp. -25-+70 $^{\circ}$ C
Ambient humidity	35-85%RH Storage: 35-85%RH
Material	Case: ABS Lens: PMMA
Protection rating	IP65 (IEC)
Wiring	Ex: ϕ 5, 2*0. 3, Rx: ϕ 5, 5*0. 2, Length: 2m
Accessory	Mounting bracket:IB02; Nut:M4; Boltst:M4*25

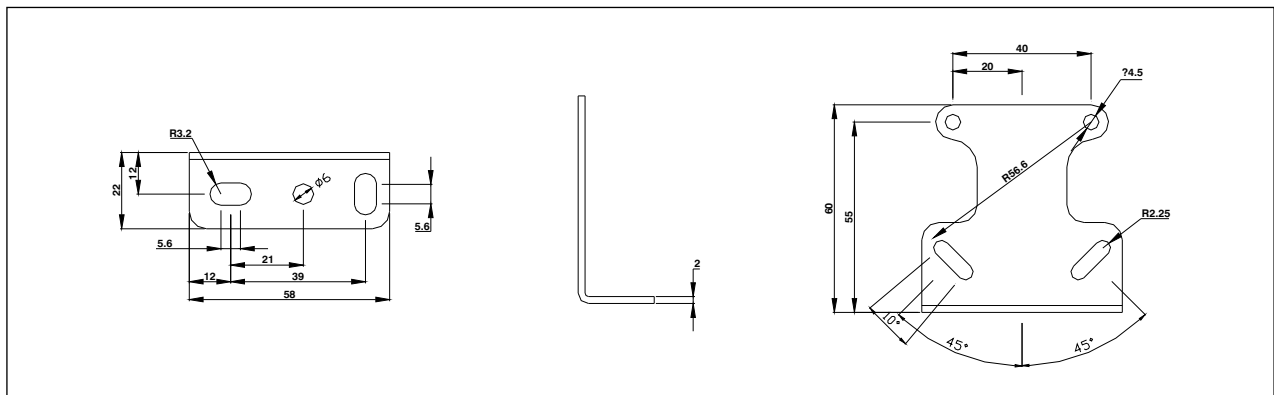
PF50 Series Photoelectric Sensors

■ Dimensions

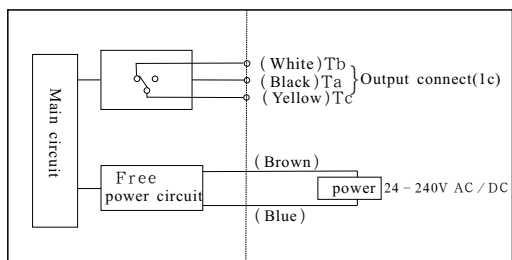
mm



■ Bracket — IB02



■ Control output diagram



AC power, relay output