

INSTRUCTION

SWING GATE OPERATOR

PK03



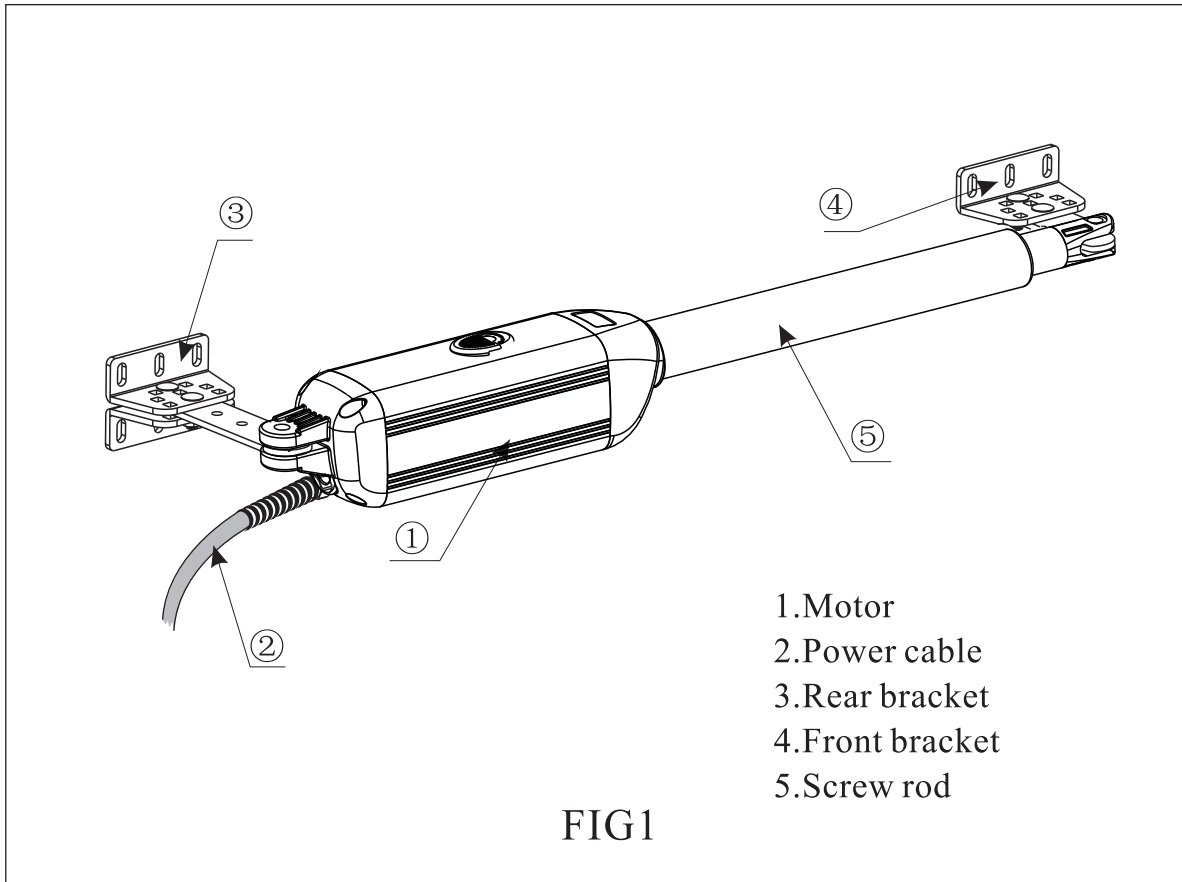
PLEASE READ CAREFULLY
BEFORE INSTALLING AND USE



1. WARNING TO THE INSTALLER AND USER

- 1.1 CAUTION! It is important for personal safety to follow all the instructions carefully. Incorrect installation or misuse of the product may cause people serious harm.
- 1.2 Keep the instructions in a safe place for future reference.
- 1.3 This product was designed and manufactured strictly for the use indicated in this documents. any other not expressly indicated use may damage the product and/or be a source of danger.
- 1.4 Before carrying out any work on the system, switch off the electricity supply.
- 1.5 Accepts no responsibility regarding safety and correct operation of the automation ,should components made by manufacturers other than be used in the system.
- 1.6 Do not make any alterations to the components of the automation.
- 1.7 Do not allow children or other persons to stand near the product while in operation.
- 1.8 Keep remote controls away from children, to prevent the automation from being activated accidentally.
- 1.9 The user must refrain from attempting to repair or adjust the system personally and should contact qualified personnel only.
- 1.10 Frequently examine the installation, in particular check cables, springs and mountings for signs of wear, damage or imbalance .Do not use if repair or adjustment is needed since a fault in installation or an incorrectly balanced door may cause injury.
- 1.11) This appliance is not intended for use by persons (including children) with reduced physical, sensory or mental capabilities, or lack of experience and knowledge, unless they have been given supervision or instruction concerning use of the appliance by a person responsible for their safety.
- 1.12 If the supply cord is damaged, it must be replaced by the manufacturer, its service agent or similarly qualified persons in order to avoid a hazard.
- 1.13 Disconnect the supply when cleaning or other maintenance is being carried out, if the appliance is automatically controlled.
- 1.14The temperature range marked on the drive should be suitable for the location.

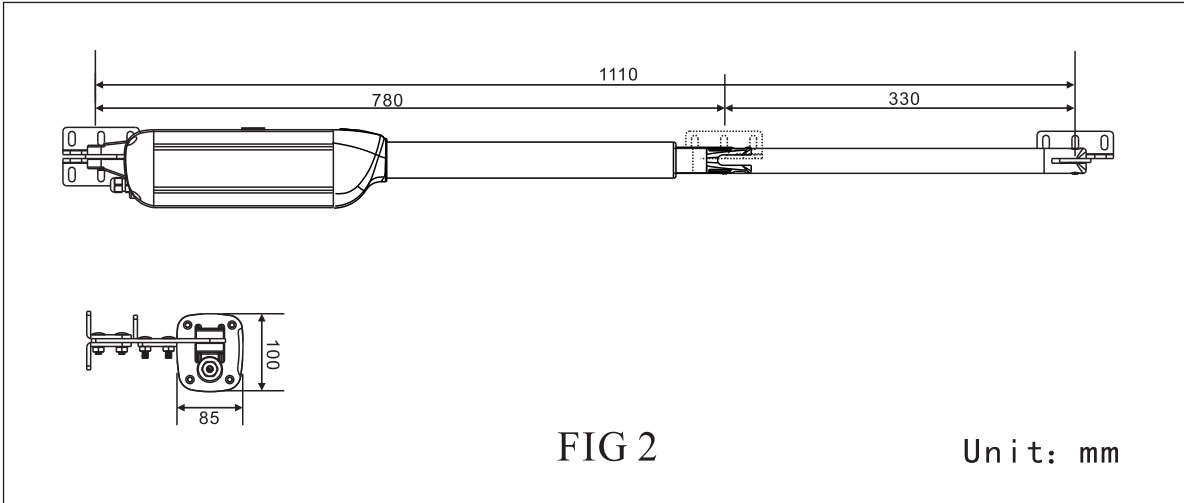
2.Description:



3.Technical Specifications:

Power of motor	24VDC 40W
Rotational speed	3200RPM
Rod's running speed	1.6cm/s
Rod's max travel	330mm (400mm Optional)
Max leaf length	3m×2
Max single-leaf weight	300Kg
Environment Temperature range	-20℃~+55℃
Protection class	IP44
Continual run time	5min

4. Dimensions:

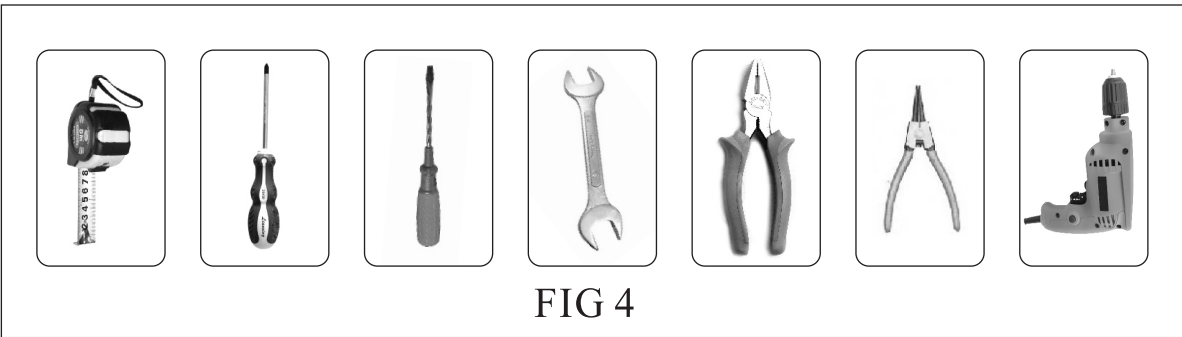


5. Package list:

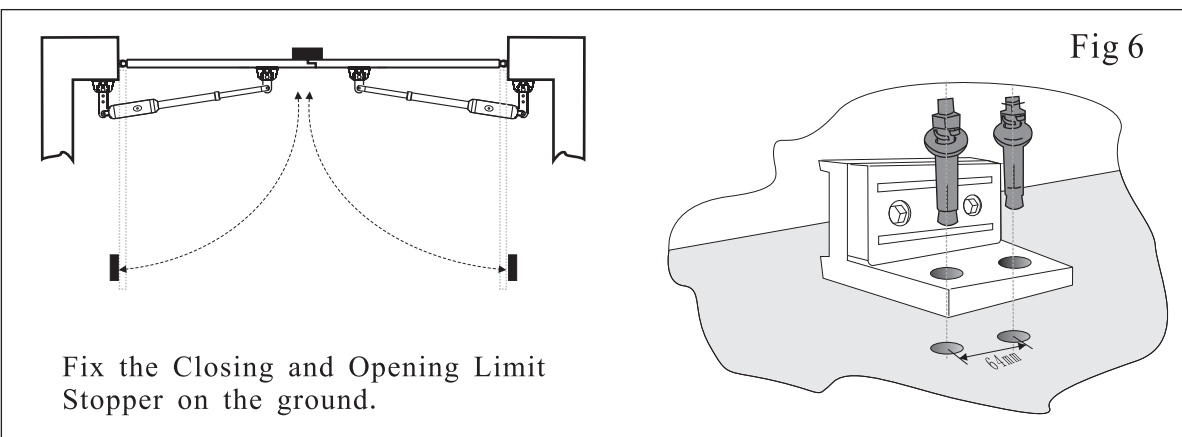
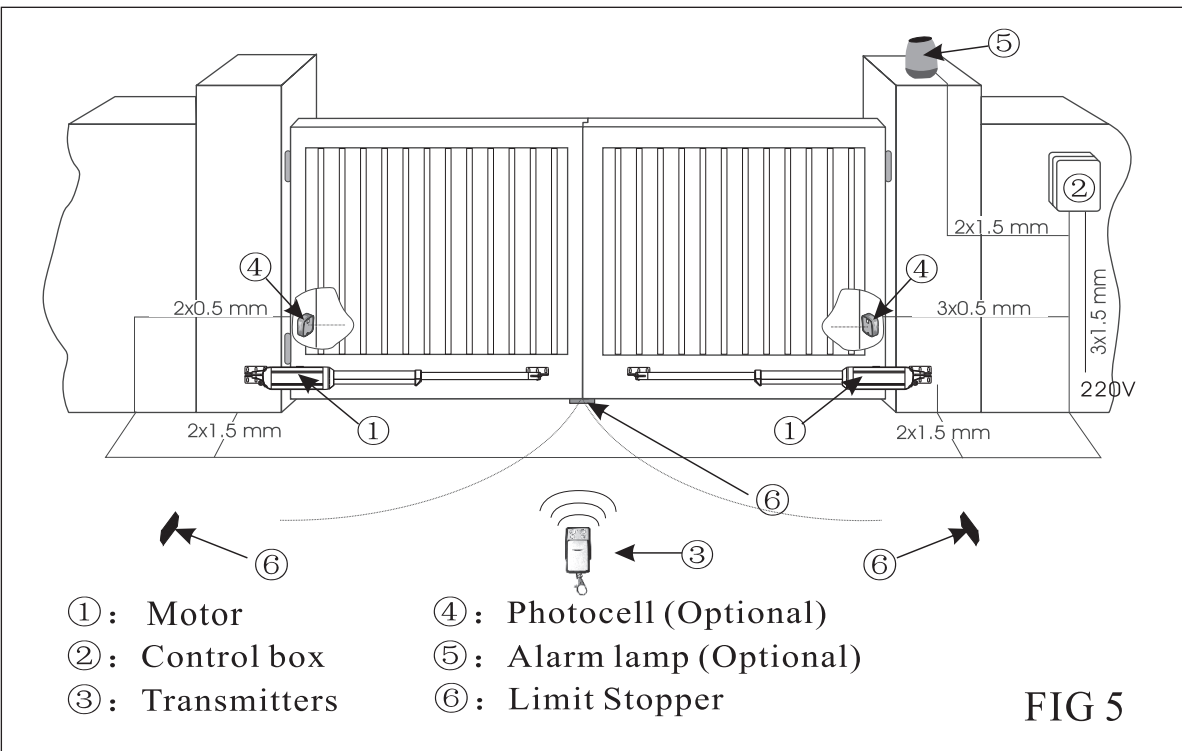
<p style="text-align: center;">2 pcs</p>		<p style="text-align: center;">1 pcs</p>	
<p style="text-align: center;">2 pcs</p>	<p style="text-align: center;">2 pcs</p>	<p style="text-align: center;">M8×75mm×4pcs</p>	
<p style="text-align: center;">6 pcs</p>	<p style="text-align: center;">φ 12×4pcs</p>	<p style="text-align: center;">M8×30mm×8pcs</p>	<p style="text-align: center;">Pin×4 pcs</p>
	<p style="text-align: center;">φ 8×12pcs</p>		<p style="text-align: center;">Pin×4 pcs</p>
<p style="text-align: center;">×2pcs</p>	<p style="text-align: center;">φ 8×12pcs</p>	<p style="text-align: center;">3 pcs</p>	<p style="text-align: center;">M10×100×9pcs M8×100×8pcs</p>
<p style="text-align: center;">×2pcs</p>	<p style="text-align: center;">M8×12pcs</p>		

6.Installation:

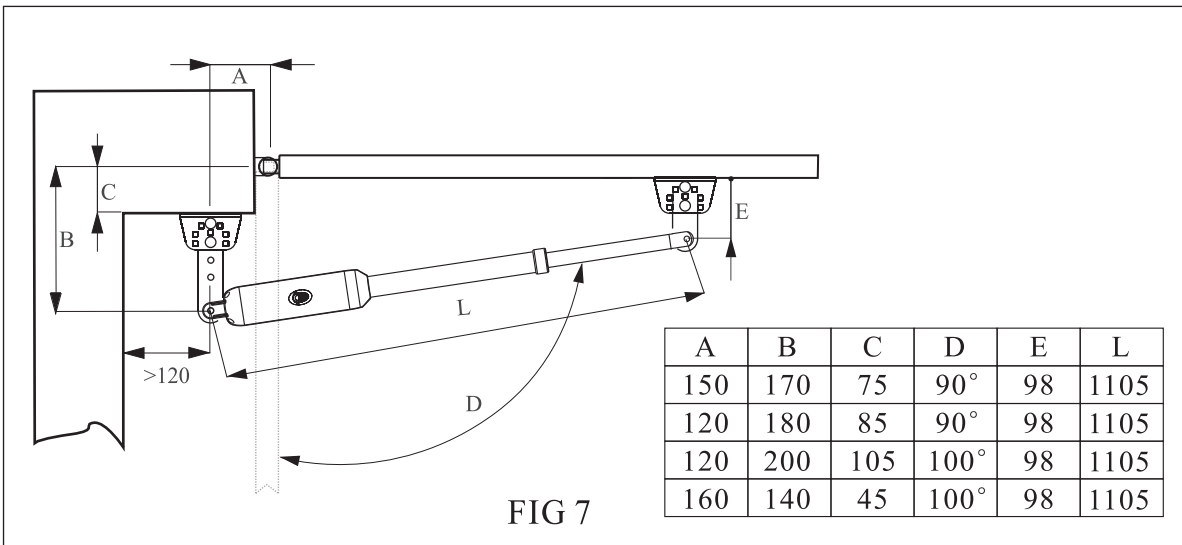
6.1: Tools:



6.2: Standard installation layout

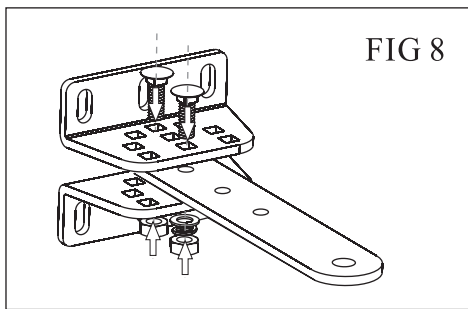


6.3: Installation dimensions

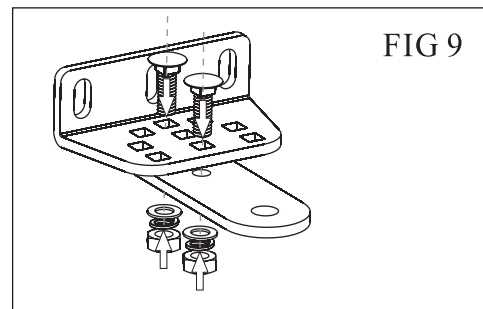


6.4: Installation:

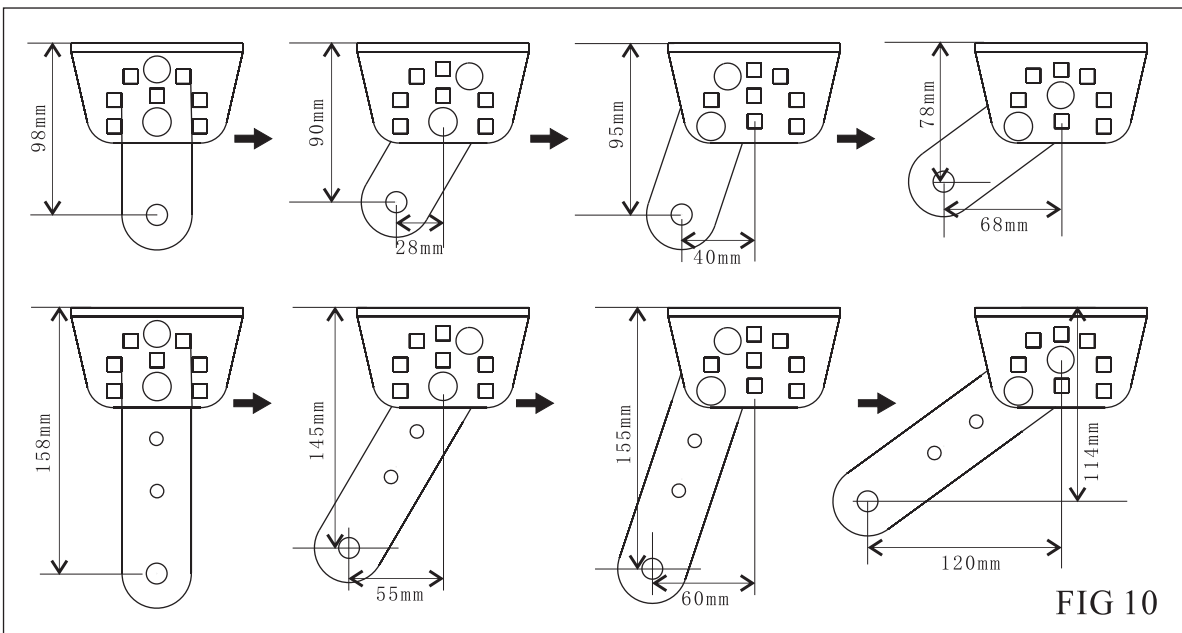
A. Connect the Rear Bracket



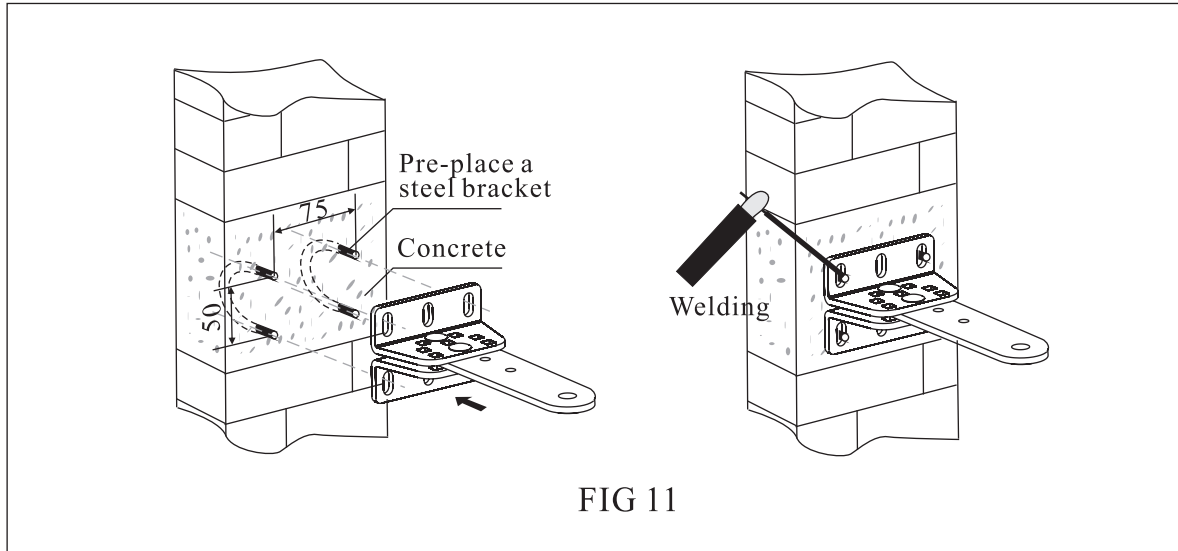
B. Connect the Front Bracket



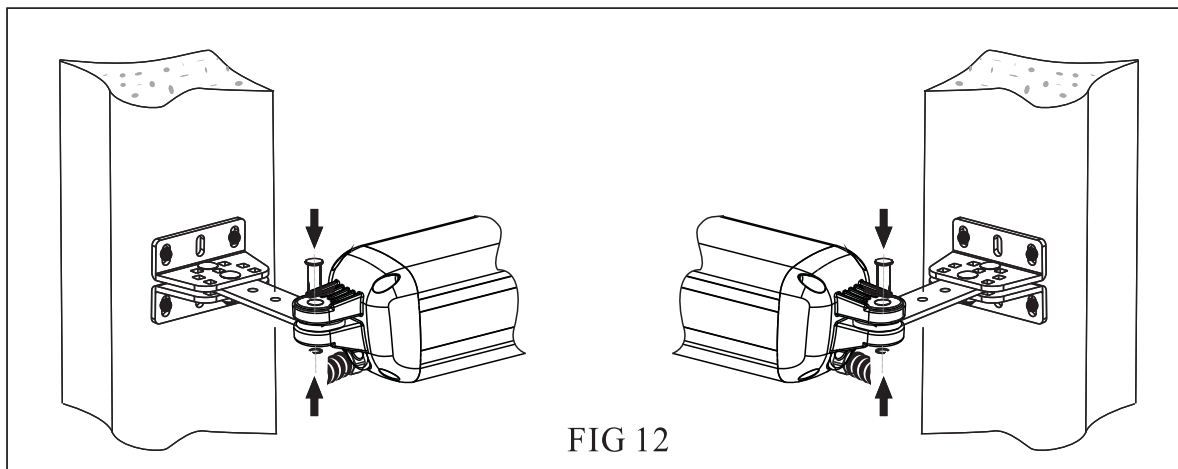
The Angle of connection can be different



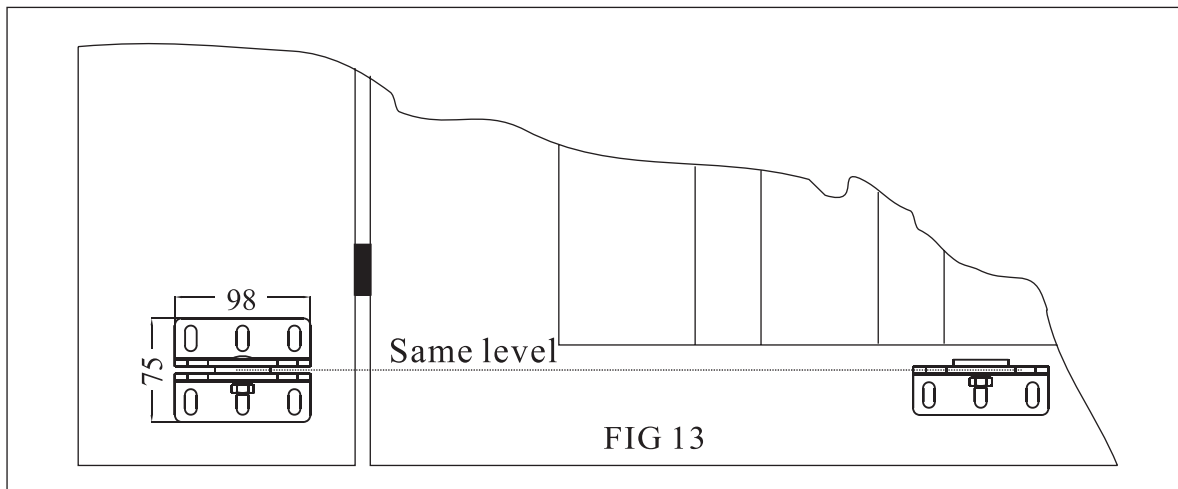
C. Fix the Rear Bracket



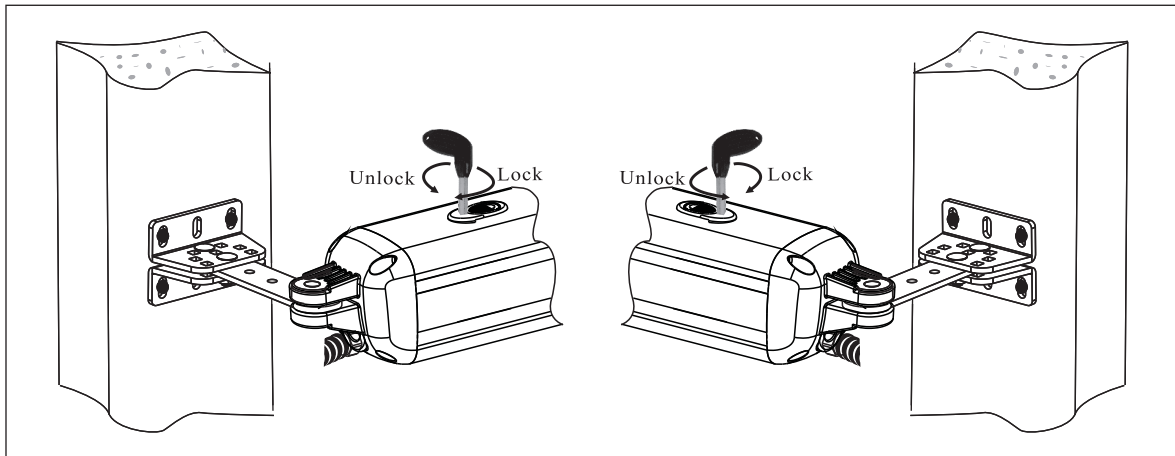
D. Fix the Motor's



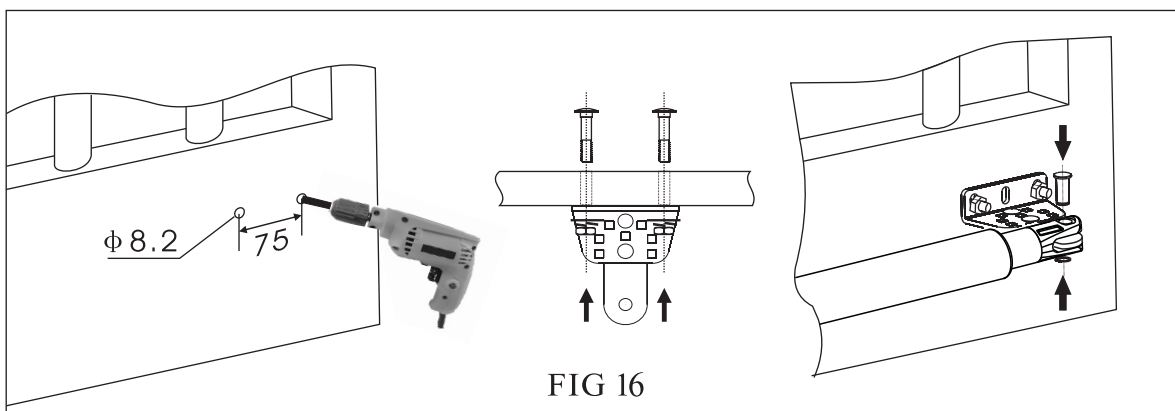
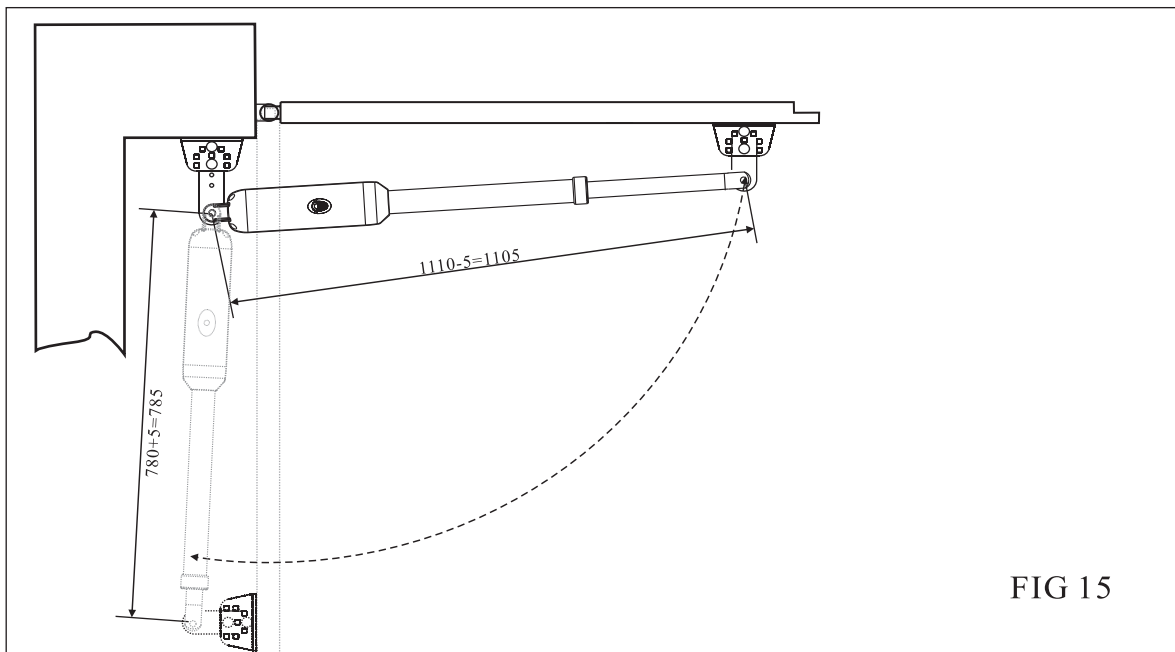
E. Insure the Front and Rear Brackets on the same level



F. How to release



G. Fix the Front Bracket



After installing, ensure that the mechanism is properly adjusted and that the protection system and any manual release function correctly.