

# PHOTOCELL (INFRARED SENSORS) INSTRUCTIONS

## (APPLIABLE TO: IR30,IR33,LINKS)

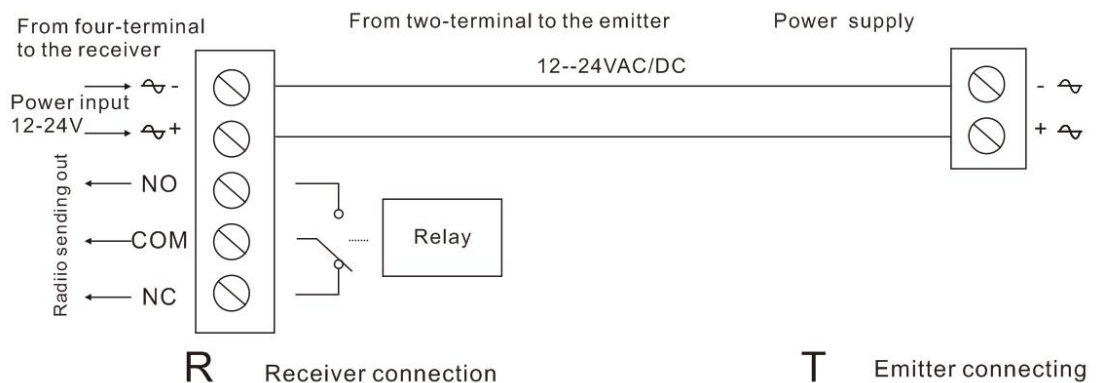
---

### 1.TECHNICAL SPECIFICATIONS

- Power supply: 12V~24V AC/DC
- Max. Range: 15M (range can be reduced by 30% in bad weather or environment,fog and haze,rain,dust,etc.
- Infrared frequency: 1.92KHz
- Input: RX 15mA, TX 30mA
- Relay output: 1A max 36V
- Wave length: 940nm

---

### 2.CONNECTING INSTRUCTIONS



---

#### Note:

- Installation height should be over 20CM from the ground.
- The distance from the EMITTER to RECEIVER shall not be less than 2 meter.
- First install the RECEIVER , and then install the EMITTER,vertically. Make sure the EMITTER and RECEIVER are mounted on the same horizontal line,,face-to-face. Once they are on the same line, the LED inside of the RECEIVER goes out.
- Fix them and connect wires.